



An IoT-Based Thermoelectric Smart Airconditionr Using Peltier

Aayush Aarsh and Vaibhav Kumar

EasyChair preprints are intended for rapid dissemination of research results and are integrated with the rest of EasyChair.

March 1, 2021

AN IOT-BASED THERMOELECTRIC SMART AIRCONDITIONR USING PELTIER

Aayush Aarsh
Department of Electronics and
Communication Engineering
Sharda University
(of Affiliation)
Gautam Buddh Nagar, India
aayush.aarsh@gmail.com

Vaibhav Kumar
Department of Electronics and
Communication Engineering
Sharda University
(of Affiliation)
Gautam Buddh Nagar, India
vaibhavkumar08007@gmail.com

Abstract— The target of this paper is to build up another cooling framework and totally eco benevolent cool. The guideline of activity of existing cooling framework relies upon various refrigerant like Smelling salts, Freon and so on, and it gives most extreme yield to these cooling frameworks. However one of the significant detriment of these refrigerants is a worldwide temperature alteration because of unsafe gas emanation. What's more, the proposed cooling framework can tackle this issue as it utilizes thermoelectric modules. Thermoelectric modules utilizes the guideline of peltier impact. This cooling framework can be utilized as an air-cooler in summer and as a warmer during the winters and it won't discharge unsafe or harmful gases like Hydro Chlorofloro carbon and so on The venture utilizes most recent innovation like the Web Of Things where it utilizes PDA and an application to make the climate control system helpful and satisfies the guidelines of present time.

Keywords— Peltier Impact, Coefficient of execution, Air-condition, IOT, Thermoelectric Cooling, Carbon Discharge, Energy Utilization

1.INTRODUCTION

Thermoelectric gadgets utilize the peltier impact which makes a warmth transition between the intersection of two distinct sorts of materials. The thermoelectric module is additionally alluded as a warmth siphon that moves heat starting with one side then onto the next when a DC flow is applied. In an investigation it was discovered that thermoelectric cooling took 4 minutes to arrive at its ideal temperature of 22 degree Celsius where the standard cooling took 20 minutes to cool to a room temperature. It was discovered that thermoelectric cooling framework is half less expensive than the traditional cooling framework.

Also thermoelectric cooling is less expensive to keep up and more prominent assessed life range of 7 years more than the regular climate control system. The explanation behind this is that customary climate control system utilizes a pivoting blower where as the thermoelectric climate control system utilizes a thermoelectric module. In districts with hot and muggy conditions climate control systems are utilized for enormous cooling , which brings about a lot of energy utilization . Also, the significant concern is the power charge that comes after so there is a need of an improved method to diminish energy utilization that can decrease the power bill. According to the information accessible , 71% of absolute electrical energy and 39% of all out energy are devoured in structures. The limit of energy utilization is squandered because of a few unfortunate warming and cooling measures. Probably the best ways to deal with improve the energy productivity is to streamline the power usage. Thermoelectric cooling framework requires lower operational energy and minimumly affects the climate and decreases the contamination.

There is additionally a need to assemble wise frameworks to control energy utilization so as to improve energy proficiency. Web of Things(IOT)- based insightful frameworks can explain such necessities , as IOT can detect the distinctive ecological boundaries which assists with directing energy utilization. IOT-based

frameworks can break down different boundaries, for example, temperature ,mugginess ,and so forth, at normal stretches and afterward controls the framework. The information gathered by IOT-based sensors are utilized to control the forced air system and help in robotize movement like naturally turning off the A.C on/off as indicated by room temperature . Through this a lot of energy can be monitored. To decrease the wastage of power because of manual control, distantly controlled robotized frameworks can help in this. The web can be utilized to speak with gadgets distantly to oversee and streamline the power consumption of cooling systems. Thermoelectric climate control system can be a decent alternative over customary A/C frameworks as there is nonattendance of assistant lines and moving parts . It is liberated from Freon and are skilled to perform under extreme ecological conditions.

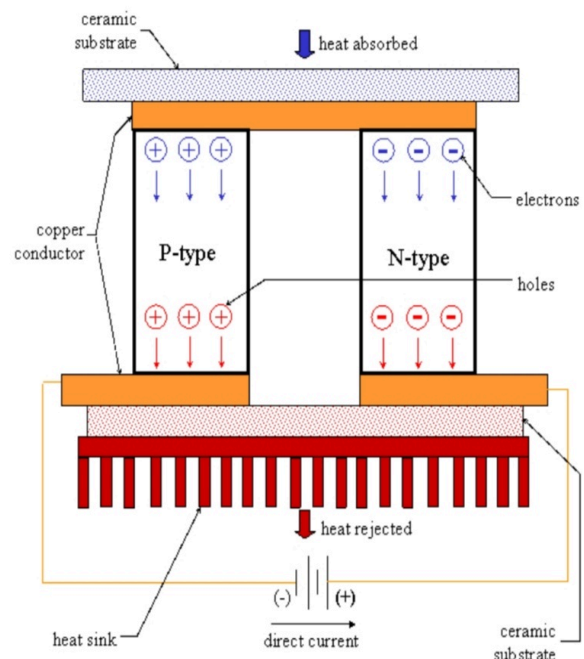


Figure 1 : Thermoelectric module activity for cooling and warming

2.IOT(INTERNET OF THINGS)

A total IoT framework incorporates four unmistakable segments: sensors/gadgets, network, information preparing, and a UI. Beneath I will quickly clarify every part and what it does.

1) Sensors/Gadgets

To start with, sensors or gadgets gather information from their current circumstance. This could be as basic as a temperature perusing or as perplexing as a full video feed.

I use "sensors/gadgets," in light of the fact that numerous sensors can be packaged together or sensors can be important for a gadget that accomplishes something beyond sense things. For instance, your telephone is a gadget that has numerous sensors (camera, accelerometer, GPS, and so on), however your telephone isn't only a sensor. Notwithstanding, regardless of whether it's an independent sensor or a full gadget, in this initial step information is being gathered from the climate by something.

2) Availability

Next, that information is shipped off the cloud. The sensors/gadgets can be associated with the cloud through an assortment of strategies including: cell, satellite, WiFi, Bluetooth, low-power wide-region organizations (LPWAN), or interfacing straightforwardly to the web by means of ethernet.

Every alternative has tradeoffs between power utilization, reach and transfer speed. Picking which network alternative is best comes down to the particular IoT application, yet they all achieve a similar undertaking: getting information to the cloud.

3) Information Handling

When the information gets to the cloud, programming plays out some sort of handling on it. This could be straightforward, for example, watching that the temperature perusing is inside an adequate reach. Or then again it could likewise be perplexing, for example, utilizing PC vision on record to distinguish objects, (for example, gatecrashers in your home). In any case, what happens when the temperature is excessively high or if there is a gatecrasher in your home? That is the place where the client comes in.

4) UI

Next, the data is made helpful to the end-client here and there. This could be by means of an alarm to the client (email, text, notice, and so forth) For instance, a text-based notification when the temperature is excessively high in the organization's cool stockpiling. Likewise, a client may have an interface that permits them to proactively monitor the framework. For instance, a client should check the video takes care of in their home by means of a telephone application or an internet browser.

Be that as it may, it's not generally a single direction road. Contingent upon the IoT application, the client may likewise have the option to play out an activity and influence the framework. For instance, the client may distantly change the temperature in the chilly stockpiling through an application on their telephone. Furthermore, a few activities are performed naturally. Instead of hanging tight for you to change the temperature, the framework could do it consequently by means of predefined rules. What's more, as opposed to simply call you to alarm you of an interloper, the IoT framework could likewise consequently inform applicable specialists

3. THEORY

3.0 Peltier Impact

The Peltier sway communicates that, warm energy is absorbed from one convergence, and is delivered at the other, when an electric flow course through a circuit containing diverse conductors. which results to past cooler and the last additionally sizzling from the streaming stream, a warm tendency make which has the Peltier effect opposite of the Seebeck sway

$$QC \text{ or } QH = \beta \times I$$

Where

- QC is the pace of cooling in watts
- QH is the pace of warming in watts
- I is the current coursing through the shut circuit.

- Note: β is the differential Peltier coefficient between the materials An and B in volts. The Peltier impact can be confirmed tentatively .

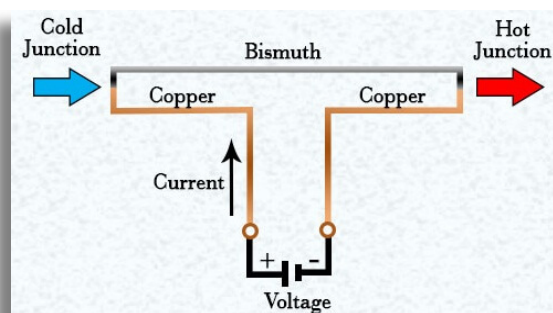


Figure 2: Working of peltier module

In the above figure two bits of copper wire are associated with the two terminals of a battery. These two pieces are interconnected with the assistance of a bismuth wire. It is seen that temperature slope as anticipated by the Peltier impact creates when the circuit is shut. At the point when current passes from copper to bismuth, the temperature ascends at the intersection, while at the intersection where current passes from bismuth to copper, the temperature drops.

3.1 SEEBECK Impact

In the Seebeck impact, because of the utilization of a warmth source electric potential is created, which can be estimated over the 'hot' and the 'cool' finishes of the intersection.

Let take two semiconductors, n-type and p-type, associated with a typical wellspring of warmth gracefully, which raises the temperature of the associated end. Different closures of the over two semiconductors are at a moderately low temperature. The electrons get the warm energy from the source at the 'hot' finish of the n-type conductor. Because of this, they get stimulated and stream towards the 'chilly' end. Along these lines, the hot end has low thickness of charge transporters (electrons for n-type and openings for p-type), while the virus end has a higher thickness of charge transporters. There is foundation of electric potential over the intersection because of conveyance of charges. A channel is utilized to interface the two closures of the intersection, and charges start to course through it, and electric flow is delivered.

In three structures the Seebeck impact possibly watched.

1. Connecting a heap over the two finishes resolution up the heap, and the two materials alongside the warmth source will go about as the generator
2. If a voltmeter is associated with the two finishes utilizing a conductor, the voltage estimated can be utilized to decide the temperature contrast between the two closures.
3. Another most normal association is utilizing the arrangement as a change to one more electrical arrangement or circuit, and consequently, controlling its activity.

Date of Conference: 15-18 April 2019
Date Added to IEEE *Xplore*: 22 July 2019

4. <https://ieeexplore.ieee.org/document/8777607/>
Date of Conference: 18-19 April 2019
Date Added to IEEE *Xplore*: 29 July 2019

5. <https://ieeexplore.ieee.org/document/8663182>
Date of Conference: 14-15 June 2018
Date Added to IEEE *Xplore*: 11 March 2019

6. <https://ieeexplore.ieee.org/document/8515771>
Date of Conference: 12-14 Aug. 2018
Date Added to IEEE *Xplore*: 01 November 2018

7. <https://ieeexplore.ieee.org/document/8634516>
Date of Conference: 4-6 Dec. 2018
Date Added to IEEE *Xplore*: 07 February 2019

8. <https://ieeexplore.ieee.org/document/8755104>
Date of Conference: 13-15 Feb. 2019
Date Added to IEEE *Xplore*: 04 July 2019

9. <https://ieeexplore.ieee.org/document/9131371>
Date of Conference: 24-26 April 2020
Date Added to IEEE *Xplore*: 02 July 2020

10. <https://ieeexplore.ieee.org/document/8776918>
Date of Conference: 10-11 Jan. 2019
Date Added to IEEE *Xplore*: 29 July 2019